



# DH-N260T 615-635W

# Bi-Plus



## N-Type Bifacial Half-cut TOPCon Module



Advanced processing techniques realize great module efficiency to a maximum of 22.4%, steady power output guaranteed



0~+5W Positive tolerance delivers higher output reliability



Excellent performance even under low-light settings, such as dawn, dusk and cloudy day

### PID

Advanced cell technology and qualified materials lead to high resistance to PID

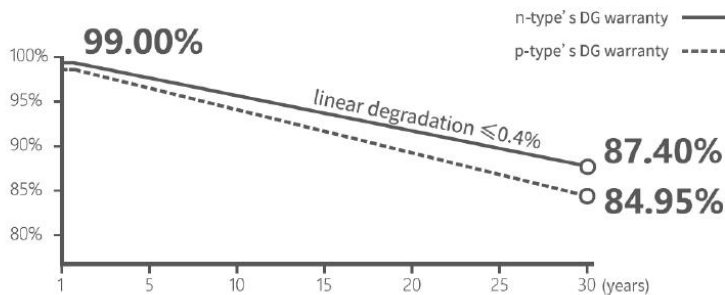


Excellent mechanical load resistance: wind loads (2400Pa) & snow loads (5400Pa)



Reliable quality leads to a better sustainability even in harsh environment like desert, farm and coastline

### LINEAR PERFORMANCE WARRANTY



Product Material & Workmanship  
**12** YEAR WARRANTY

Linear Performance  
**30** YEAR WARRANTY



# DH-N260T 615-635W

## N-Type Bifacial Half-cut TOPCon Module

| ELECTRICAL PROPERTIES   STC*    | DH-N260T 615W | DH-N260T 620W | DH-N260T 625W | DH-N260T 630W | DH-N260T 635W |
|---------------------------------|---------------|---------------|---------------|---------------|---------------|
| Peak Power (Pmax   W)           | 615           | 620           | 625           | 630           | 635           |
| MPP Voltage (Vmp   V)           | 35.5          | 35.7          | 35.9          | 36.1          | 36.3          |
| MPP Current (Imp   A)           | 17.33         | 17.37         | 17.41         | 17.46         | 17.50         |
| Open Circuit Voltage (Voc   V)  | 42.7          | 42.9          | 43.1          | 43.3          | 43.5          |
| Short Circuit Current (Isc   A) | 18.26         | 18.31         | 18.36         | 18.41         | 18.46         |
| Module Efficiency (%)           | 21.7          | 21.9          | 22.1          | 22.3          | 22.4          |
| Power Tolerance                 | 0~+5W         |               |               |               |               |
| Operating Temperature           | -40°C ~ 85°C  |               |               |               |               |
| Maximum System Voltage          | DC 1500V      |               |               |               |               |
| Maximum Series Fuse Rating      | 35A           |               |               |               |               |

\*STC (Standard Test Condition): Irradiance 1000W/m<sup>2</sup>, Cell Temperature 25°C, AM 1.5

| ELECTRICAL PROPERTIES   NOCT*   | DH-N260T 615W | DH-N260T 620W | DH-N260T 625W | DH-N260T 630W | DH-N260T 635W |
|---------------------------------|---------------|---------------|---------------|---------------|---------------|
| Peak Power (Pmax   W)           | 465           | 469           | 473           | 476           | 480           |
| MPP Voltage (Vmp   V)           | 33.6          | 33.8          | 33.9          | 34.1          | 34.3          |
| MPP Current (Imp   A)           | 13.86         | 13.89         | 13.93         | 13.96         | 13.99         |
| Open Circuit Voltage (Voc   V)  | 40.4          | 40.6          | 40.8          | 41.0          | 41.2          |
| Short Circuit Current (Isc   A) | 14.72         | 14.77         | 14.81         | 14.85         | 14.89         |

\*NOCT (Nominal Operating Cell Temperature): Irradiance 800W/m<sup>2</sup>, Ambient Temperature 20°C, AM 1.5, Wind Speed 1m/s

| BIFACIAL OUTPUT-REAR SIDE POWER GAIN | DH-N260T 615W | DH-N260T 620W | DH-N260T 625W | DH-N260T 630W | DH-N260T 635W |
|--------------------------------------|---------------|---------------|---------------|---------------|---------------|
| 5% Maximum Power(Pmax W)             | 646           | 651           | 656           | 662           | 667           |
| 5% Module EfficiencySTC (%)          | 22.8          | 23.0          | 23.2          | 23.4          | 23.6          |
| 15% Maximum Power(Pmax W)            | 707           | 713           | 719           | 725           | 730           |
| 15% Module EfficiencySTC (%)         | 25.0          | 25.2          | 25.4          | 25.6          | 25.8          |
| 25% Maximum Power(Pmax W)            | 769           | 775           | 781           | 788           | 794           |
| 25% Module EfficiencySTC (%)         | 27.2          | 27.4          | 27.6          | 27.8          | 28.0          |

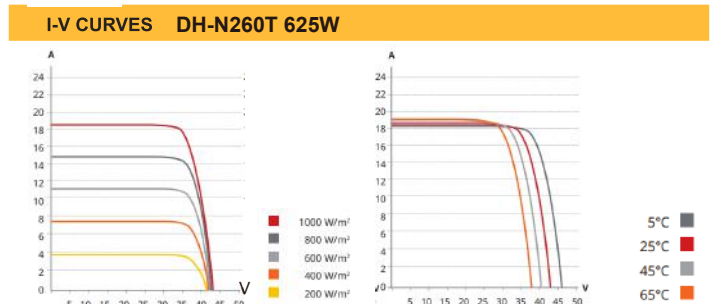
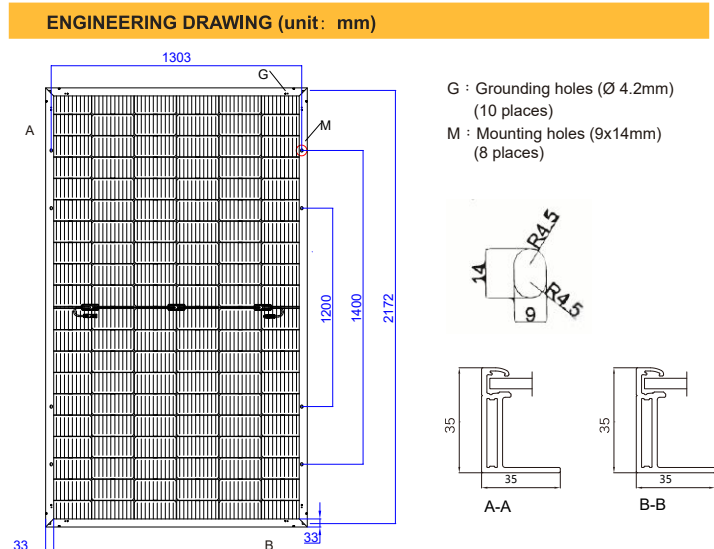
Data may vary according to different environment

| MECHANICAL PROPERTIES |                                 |
|-----------------------|---------------------------------|
| Cell Type             | TOPCon Cells                    |
| Number of Cells       | 120(60*2)                       |
| Dimension             | 2172*1303*35mm                  |
| Weight                | 31kg                            |
| Front/Rear Glass      | 3.2mm                           |
| Frame                 | Anodized aluminum alloy frame   |
| Junction Box          | IP68, 3 Diodes                  |
| Cable Type            | 4.0 mm <sup>2</sup>             |
| UL Fire Type          | UL Type 1 / IEC Class C         |
| Length of Cable       | 300mm, length can be customized |

| TEMPERATURE COEFFICIENT        |           |
|--------------------------------|-----------|
| Temp. Coeff. Of Pmax (TK Pmax) | -0.29%/°C |
| Temp. Coeff. Of Voc (TK Voc)   | -0.25%/°C |
| Temp. Coeff. Of Isc (TK Isc)   | 0.05%/°C  |

| PACKAGING |         |
|-----------|---------|
| Pallet    | 31 pcs  |
| 40'HC     | 558 pcs |

The specifications and key features contained in this datasheet maybe changed, modified or updated at any time under sole discretion of Dehui, without further notice to the user, due to the on-going research and development efforts and continuous product improvement processes employed at the factory. Therefore, Dehui reserves the right to make any adjustment to the information contained herein. It is the responsibility of the user of datasheet to obtain the latest, current revision - matching to the correct Dehui product - that the user has purchased or intends to purchase.



Email: sales@dehui-technology.com  
Website: www.dehui-technology.com

**U.S.A Office:** 14820 Central Avenue, Chino, CA 91710  
**China Office:** Floor 28, Hang Lung Plaza, Wuxi, China  
**Germany Office:** Sebastian-Kneipp-Str.41 60439 Frankfurt, Germany  
**Factory Add:** Lot H2-1-5 & Lot H2-1-6 Dai Dong-Hoan Son Industrial Park, Bac Ninh Province, Vietnam

