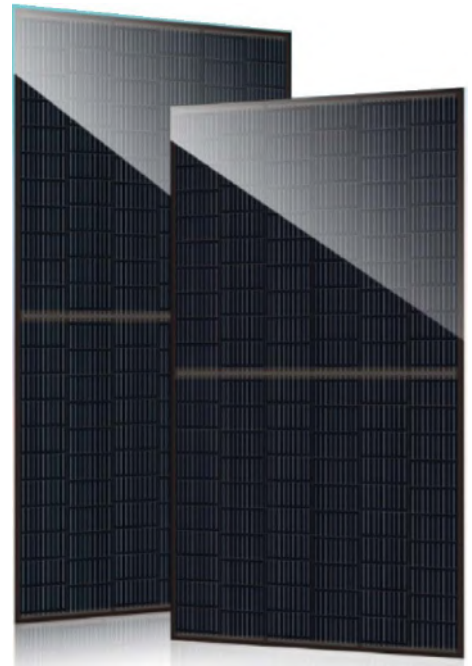




# DH-M160T 435-455W

**Bi-Plus**



## Bifacial Half-cut Mono PERC Module



Advanced processing techniques realize great module efficiency to a maximum of 21.1%, steady power output guaranteed



0~+5W Positive tolerance delivers higher output reliability



Excellent performance even under low-light settings, such as dawn, dusk and cloudy day

PID

Advanced cell technology and qualified materials lead to high resistance to PID

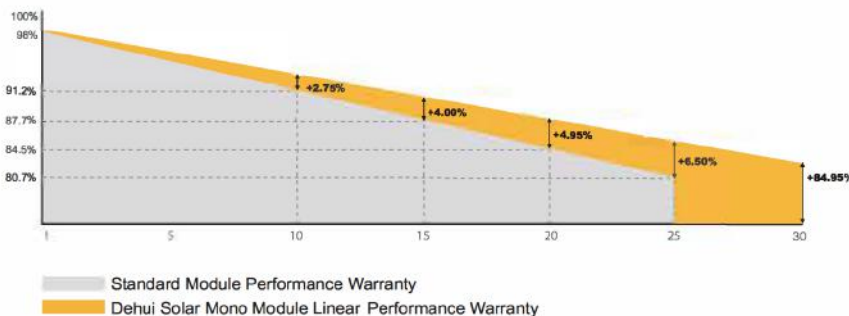


Excellent mechanical load resistance: wind loads (2400Pa) & snow loads (5400Pa)



Reliable quality leads to a better sustainability even in harsh environment like desert, farm and coastline

### LINEAR PERFORMANCE WARRANTY



Product Material & Workmanship  
**12** YEAR WARRANTY

Linear Performance  
**30** YEAR WARRANTY



# DH-M160T 435-455W

## Bifacial Half-cut Mono PERC Module

ELECTRICAL PROPERTIES   STC*	DH-M160T 435W	DH-M160T 440W	DH-M160T 445W	DH-M160T 450W	DH-M160T 455W
Peak Power (Pmax   W)	435	440	445	450	455
MPP Voltage (Vmp   V)	33.76	33.89	34.00	34.15	34.34
MPP Current (Imp   A)	12.91	13.01	13.11	13.20	13.27
Open Circuit Voltage (Voc   V)	41.02	41.11	41.18	41.30	41.51
Short Circuit Current (Isc   A)	13.66	13.71	13.79	13.86	13.92
Module Efficiency (%)	20.16	20.39	20.62	20.85	21.08
Power Tolerance	0~+5W				
Operating Temperature	-40°C ~ 85°C				
Maximum System Voltage	DC 1500V				
Maximum Series Fuse Rating	25A				

\*STC (Standard Test Condition): Irradiance 1000W/m<sup>2</sup>, Cell Temperature 25°C, AM 1.5

ELECTRICAL PROPERTIES   NOCT*	DH-M160T 435W	DH-M160T 440W	DH-M160T 445W	DH-M160T 450W	DH-M160T 455W
Peak Power (Pmax   W)	324	327	331	335	339
MPP Voltage (Vmp   V)	31.06	31.11	31.26	31.43	31.62
MPP Current (Imp   A)	10.43	10.51	10.59	10.66	10.72
Open Circuit Voltage (Voc   V)	38.72	38.81	38.87	38.99	39.19
Short Circuit Current (Isc   A)	11.03	11.07	11.14	11.19	11.24

\*NOCT (Nominal Operating Cell Temperature): Irradiance 800W/m<sup>2</sup>, Ambient Temperature 20°C, AM 1.5, Wind Speed 1m/s

BIFACIAL OUTPUT-REAR SIDE POWER GAIN					
5% Maximum Power(Pmax W)	457	462	467	473	478
5% Module EfficiencySTC (%)	21.17	21.41	21.65	21.90	22.14
15% Maximum Power(Pmax W)	500	506	512	518	523
15% Module EfficiencySTC (%)	23.18	23.45	23.71	23.98	24.25
25% Maximum Power(Pmax W)	544	550	556	563	569
25% Module EfficiencySTC (%)	25.20	25.49	25.78	26.07	26.36

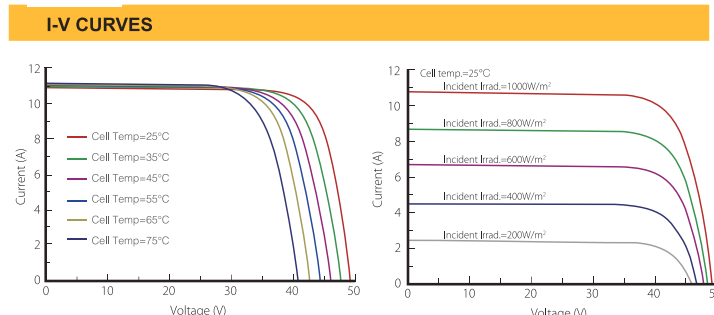
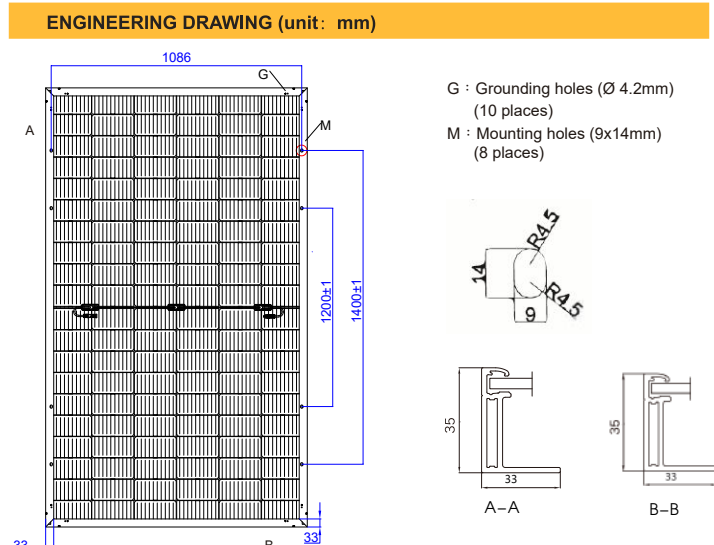
Data may vary according to different environment

MECHANICAL PROPERTIES	
Cell Type	Mono cell(182x91mm)
Number of Cells	120(60*2)
Dimension	1903*1134*35mm
Weight	24.2kg
Front/Rear Glass	3.2mm
Frame	Anodized aluminum alloy frame
Junction Box	IP68, 3 Diodes
Cable Type	4.0 mm <sup>2</sup>
UL Fire Type	UL Type 1 / IEC Class C
Length of Cable	300mm, length can be customized

TEMPERATURE COEFFICIENT	
Temp. Coeff. Of Pmax (TK Pmax)	-0.35%/°C
Temp. Coeff. Of Voc (TK Voc)	-0.28%/°C
Temp. Coeff. Of Isc (TK Isc)	0.048%/°C

PACKAGING	
Pallet	31 pcs
40'HC	744 pcs

The specifications and key features contained in this datasheet maybe changed, modified or updated at any time under sole discretion of Dehui, without further notice to the user, due to the on-going research and development efforts and continuous product improvement processes employed at the factory. Therefore, Dehui reserves the right to make any adjustment to the information contained herein. It is the responsibility of the user of datasheet to obtain the latest, current revision - matching to the correct Dehui product - that the user has purchased or intends to purchase.



Email: sales@dehui-technology.com  
Website: www.dehui-technology.com

**U.S.A Office:** 14820 Central Avenue, Chino, CA 91710  
**China Office:** Floor 28, Hang Lung Plaza, Wuxi, China  
**Germany Office:** Sebastian-Kneipp-Str.41 60439 Frankfurt, Germany  
**Factory Add:** Lot H2-1-5 & Lot H2-1-6 Dai Dong-Hoan Son Industrial Park, Bac Ninh Province, Vietnam

