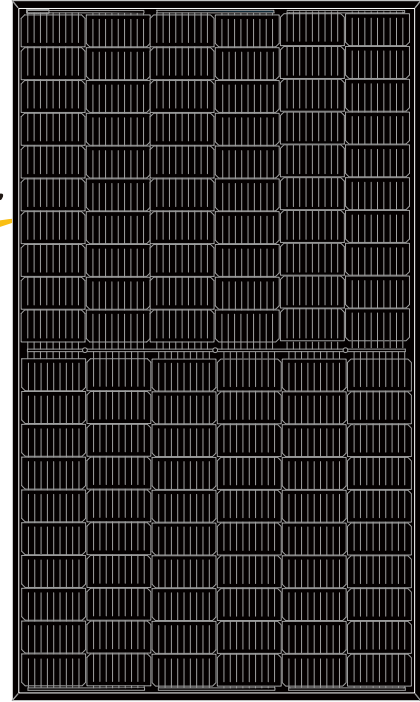




Plus Black

DH-M160B 430-450W

Full Black Half-cut
Mono PERC Module



Advanced processing techniques realize great module efficiency to a maximum of 20.9%, steady power output guaranteed



0~+5W Positive tolerance delivers higher output reliability



Excellent performance even under low-light settings, such as dawn, dusk and cloudy day

PID

Advanced cell technology and qualified materials lead to high resistance to PID

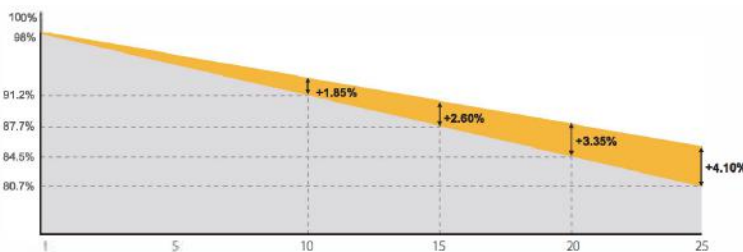


Excellent mechanical load resistance: wind loads (2400Pa) & snow loads (5400Pa)



Reliable quality leads to a better sustainability even in harsh environment like desert, farm and coastline

LINEAR PERFORMANCE WARRANTY



Standard Module Performance Warranty
Dehui Solar Mono Module Linear Performance Warranty

Product Material & Workmanship
12 YEAR WARRANTY

Linear Performance
25 YEAR WARRANTY



DH-M160B 430-450W

Full Black Half-cut Mono PERC Module

ELECTRICAL PROPERTIES STC*	DH-M160B 430W	DH-M160B 435W	DH-M160B 440W	DH-M160B 445W	DH-M160B 450W
Peak Power (Pmax W)	430	435	440	445	450
MPP Voltage (Vmp V)	33.57	33.78	33.95	34.10	34.22
MPP Current (Imp A)	12.82	12.88	12.96	13.05	13.15
Open Circuit Voltage (Voc V)	40.75	40.85	40.97	41.08	41.15
Short Circuit Current (Isc A)	13.58	13.64	13.70	13.77	13.83
Module Efficiency (%)	19.93	20.16	20.39	20.62	20.85
Power Tolerance	0~+5W				
Operating Temperature	-40°C ~ 85°C				
Maximum System Voltage	DC 1500V				
Maximum Series Fuse Rating	25A				

*STC (Standard Test Condition): Irradiance 1000W/m², Cell Temperature 25°C, AM 1.5

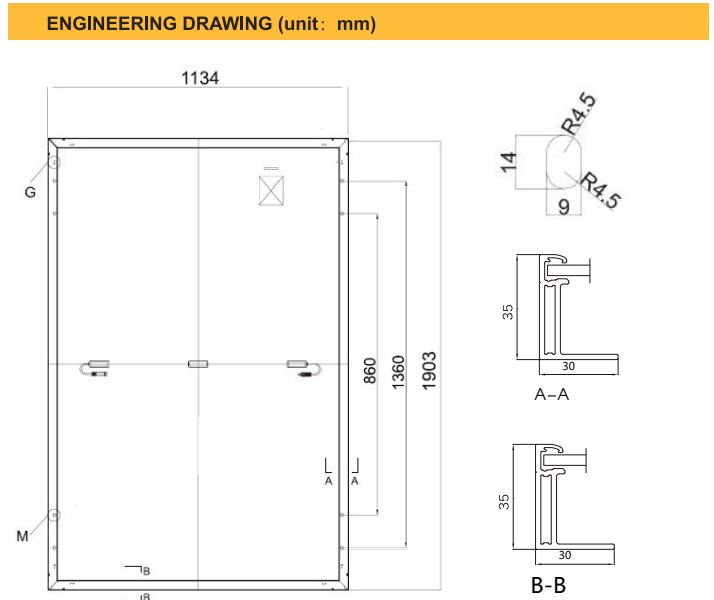
ELECTRICAL PROPERTIES NOCT*	DH-M160B 430W	DH-M160B 435W	DH-M160B 440W	DH-M160B 445W	DH-M160B 450W
Peak Power (Pmax W)	319	323	327	331	335
MPP Voltage (Vmp V)	31.05	31.22	31.39	31.56	31.73
MPP Current (Imp A)	10.31	10.37	10.43	10.49	10.55
Open Circuit Voltage (Voc V)	38.52	38.60	38.68	38.78	38.85
Short Circuit Current (Isc A)	10.99	11.04	11.09	11.14	11.19

*NOCT (Nominal Operating Cell Temperature): Irradiance 800W/m², Ambient Temperature 20°C, AM 1.5, Wind Speed 1m/s

MECHANICAL PROPERTIES	
Cell Type	Mono cell(182x91mm)
Number of Cells	120(60*2)
Dimension	1903*1134*35mm
Weight	24.2kg
Front/Rear Glass	3.2mm
Frame	Anodized aluminum alloy frame
Junction Box	IP68 , 3 Diodes
Cable Type	4.0 mm ²
UL Fire Type	UL Type 4 / IEC Class C
Length of Cable	300mm, length can be customized

TEMPERATURE COEFFICIENT	
Temp. Coeff. Of Pmax (TK Pmax)	-0.35%/°C
Temp. Coeff. Of Voc (TK Voc)	-0.28%/°C
Temp. Coeff. Of Isc (TK Isc)	0.048%/°C

PACKAGING	
Pallet	31 pcs
40'HC	744 pcs



The specifications and key features contained in this datasheet maybe changed, modified or updated at any time under sole discretion of Dehui, without further notice to the user, due to the on-going research and development efforts and continuous product improvement processes employed at the factory. Therefore, Dehui reserves the right to make any adjustment to the information contained herein. It is the responsibility of the user of datasheet to obtain the latest, current revision - matching to the correct Dehui product – that the user has purchased or intends to purchase.

