



PLUS



DH-M154W 390-415W

Half-cut Mono PERC Module



Advanced processing techniques realize great module efficiency to a maximum of 21.25%, steady power output guaranteed



0~+5W Positive tolerance delivers higher output reliability



Excellent performance even under low-light settings, such as dawn, dusk and cloudy day

PID

Advanced cell technology and qualified materials lead to high resistance to PID

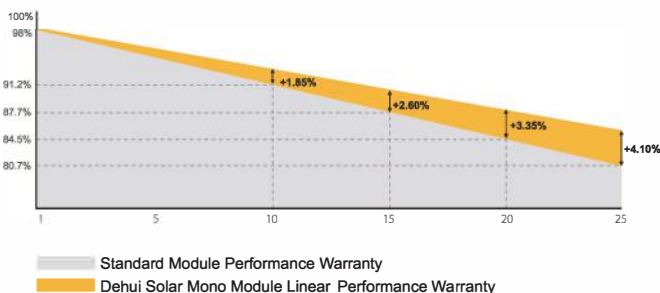


Excellent mechanical load: Positive 5,400pa and Negative 2,400pa



Reliable quality leads to a better sustainability even in harsh environment like desert, farm and coastline

LINEAR PERFORMANCE WARRANTY



Product Material & Workmanship

12 YEAR WARRANTY

Linear Performance

25 YEAR WARRANTY



302602

DH-M154W 390-415W

Half-cut Mono PERC Module

ELECTRICAL PROPERTIES STC*	390W	395W	400W	405 W	410W	415W
Peak Power (Pmax W)	390	395	400	405	410	415
MPP Voltage (Vmp V)	30.40	30.57	30.71	30.86	31.03	31.19
MPP Current (Imp A)	12.83	12.92	13.03	13.13	13.22	13.31
Open Circuit Voltage (Voc V)	36.81	36.94	37.03	37.15	37.23	37.38
Short Circuit Current (Isc A)	13.60	13.71	13.79	13.86	13.94	14.02
Module Efficiency (%)	19.97%	20.23%	20.48%	20.74%	21.00%	21.25%
Power Tolerance	0 ~ + 5W					
Operating Temperature	-40°C ~ +85°C					
Maximum System Voltage	DC1500V					
Maximum Series Fuse Rating	25A					

*STC (Standard Test Condition): Irradiance 1000W/m², Cell Temperature 25°C, AM 1.5

ELECTRICAL PROPERTIES NOCT*	390W	395W	400W	405 W	410W	415W
Peak Power (Pmax W)	290	294	298	301	305	309
MPP Voltage (Vmp V)	28.15	28.26	28.42	28.56	28.72	28.88
MPP Current (Imp A)	10.33	10.4	10.47	10.55	10.62	10.69
Open Circuit Voltage (Voc V)	34.78	34.83	34.9	34.98	35.05	35.21
Short Circuit Current (Isc A)	11.01	11.07	11.13	11.19	11.24	11.32

*NOCT (Nominal Operating Cell Temperature): Irradiance 800W/m², Ambient Temperature 20°C, AM 1.5, Wind Speed 1m/s

MECHANICAL PROPERTIES	
Cell Type	Mono cell(182x91mm)
Number of Cells	108 (54*2)pcs
Dimension	1722*1134*35mm
Weight	22KG
Front Glass	3.2mm AR coated tempered glass
Frame	Anodized aluminum alloy
Junction Box	IP68, 3 diodes
Cable Type	4.0mm ²
Fire Type(Rating)	UL Type 1 / IEC Class C
Length Of Cable	300mm, or can be customized

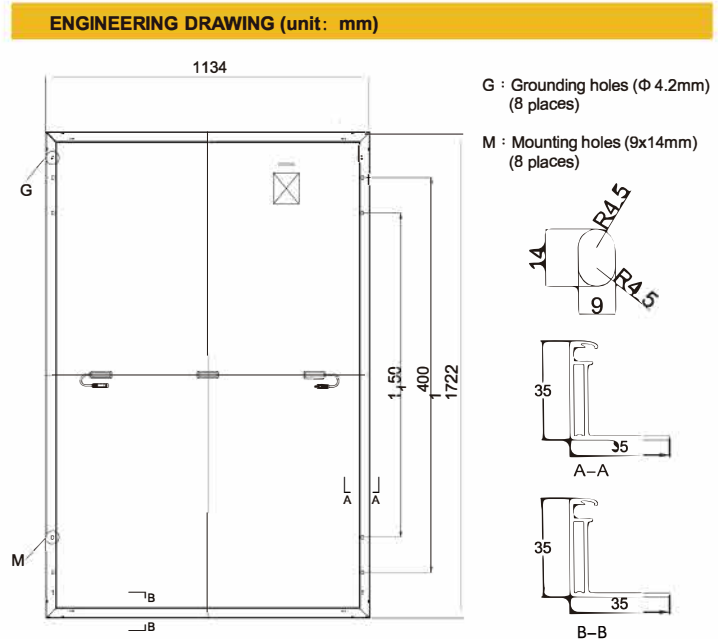
TEMPERATURE COEFFICIENT	
Temp.Coeff. of Pmax (Tk Pmax)	-0.35%/°C
Temp.Coeff. of Voc (Tk Voc)	-0.28%/°C
Temp.Coeff. of Isc (Tk Isc)	0.048%/°C

PACKAGING	
Pallet	31pcs
40'HC	806pcs

The specifications and key features contained in this datasheet maybe changed, modified or updated at any time under sole discretion of Dehui, without further notice to the user, due to the on-going research and development efforts and continuous product improvement processes employed at the factory. Therefore, Dehui reserves the right to make any adjustment to the information contained herein. It is the responsibility of the user of datasheet to obtain the latest, current revision - matching to the correct Dehui product - that the user has purchased or intends to purchase.

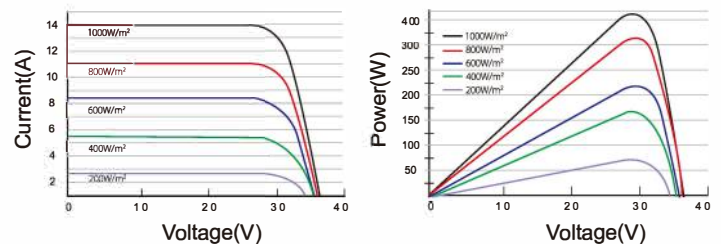
Email : sales@dehui-technology.com
Website : www.dehui-technology.com

U.S.A Office: 14820 Central Avenue, Chino, CA 91710
China Office: Floor 28, Hang Lung Plaza, Wuxi, China
Germany Office: Sebastian-Kneipp-Str.41 60439 Frankfurt, Germany
Factory Add: Lot H2-1-5 & Lot H2-1-6 Dai Dong-Hoan Son Industrial Park, Bac Ninh Province, Vietnam



I-V CURVES

Current-Voltage & Power-Voltage Curves(405W)



DEHUI