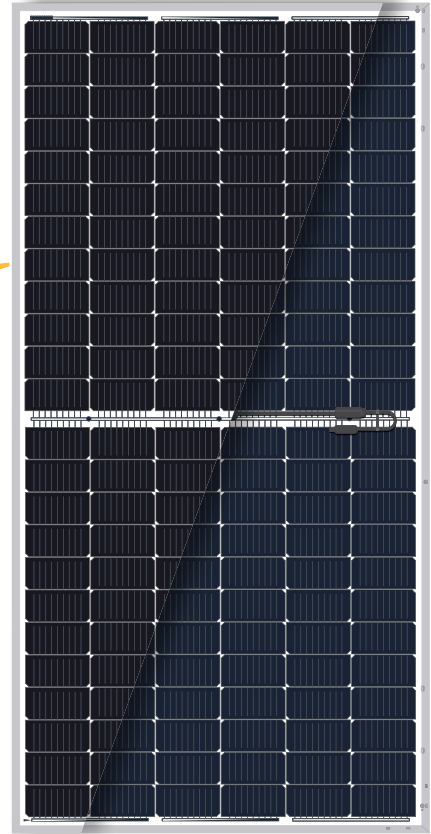


DEHUI

BiMax

DH-M772F 430-450W

Bifacial Half-cut
Mono PERC Module



Advanced processing techniques realize great module efficiency to a maximum of 20.7%, steady power output guaranteed



0~+5W Positive tolerance delivers higher output reliability



Excellent performance even under low-light settings, such as dawn, dusk and cloudy day

PID

Advanced cell technology and qualified materials lead to high resistance to PID

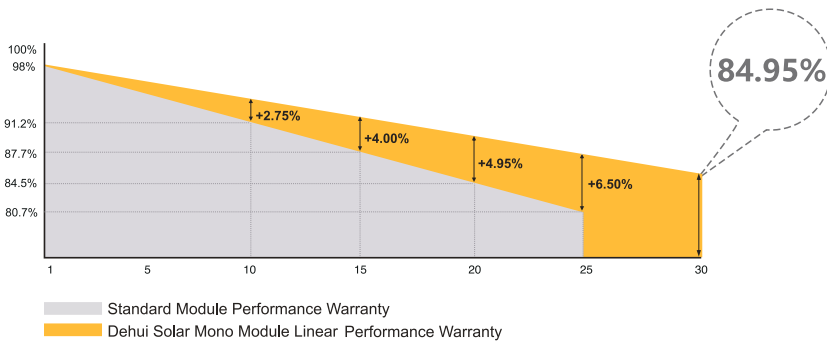


Excellent mechanical load resistance: wind loads (2400Pa) & snow loads (5400Pa)



Reliable quality leads to a better sustainability even in harsh environment like desert, farm and coastline

LINEAR PERFORMANCE WARRANTY



Product Material & Workmanship
12 YEAR WARRANTY

Linear Performance
30 YEAR WARRANTY



LISTED

[PHOTOVOLTAGIC MODULE OVER 600 VOLTS]
UL File No. E515622



DH-M772F 430-450W

Bifacial Half-cut Mono PERC Module

ELECTRICAL PROPERTIES	STC*	DH-M772F 430W	DH-M772F 435W	DH-M772F 440W	DH-M772F 445W	DH-M772F 450W
Peak Power (Pmax W)		430	435	440	445	450
MPP Voltage (Vmp V)		40.6	40.8	41.0	41.2	41.4
MPP Current (Imp A)		10.60	10.66	10.73	10.80	10.87
Open Circuit Voltage (Voc V)		48.9	49.1	49.2	49.4	49.6
Short Circuit Current (Isc A)		11.30	11.36	11.45	11.52	11.59
Module Efficiency (%)		19.8	20.0	20.2	20.5	20.7
Power Tolerance		0~+5W				
Operating Temperature		-40°C ~ 85°C				
Maximum System Voltage		DC 1500V				
Maximum Series Fuse Rating		20A				
Fire Safety		Class C				

*STC (Standard Test Condition): Irradiance 1000W/m², Cell Temperature 25°C, AM 1.5

ELECTRICAL PROPERTIES	NOCT*	DH-M772F 430W	DH-M772F 435W	DH-M772F 440W	DH-M772F 445W	DH-M772F 450W
Peak Power (Pmax W)		319.7	323.5	327.2	330.9	334.6
MPP Voltage (Vmp V)		37.7	37.9	38.1	38.3	38.5
MPP Current (Imp A)		8.49	8.54	8.60	8.65	8.71
Open Circuit Voltage (Voc V)		45.6	45.7	45.8	46.0	46.1
Short Circuit Current (Isc A)		9.14	9.20	9.27	9.32	9.39

*NOCT (Nominal Operating Cell Temperature): Irradiance 800W/m², Ambient Temperature 20°C, AM 1.5, Wind Speed 1m/s

ELECTRICAL CHARACTERISTICS WITH DIFFERENT REAR SIDE POWER GAIN (REFERENCE TO 445W FRONT)						
Peak Power (Pmax W)		467	490	512	534	556
MPP Voltage (Vmp V)		41.2	41.2	41.3	41.3	41.3
MPP Current (Imp A)		11.34	11.88	12.42	12.96	13.50
Open Circuit Voltage (Voc V)		49.4	49.4	49.5	49.5	49.5
Short Circuit Current (Isc A)		12.09	12.67	13.24	13.82	14.40
Pmax gain		5%	10%	15%	20%	25%

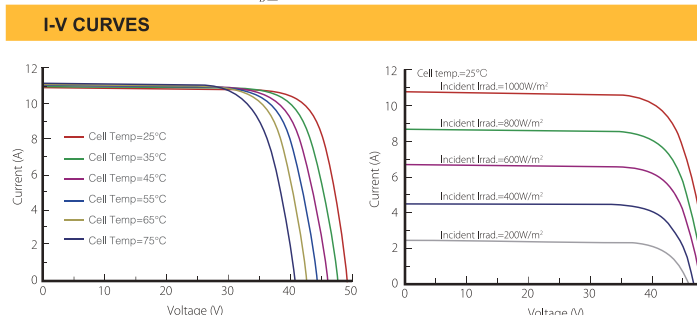
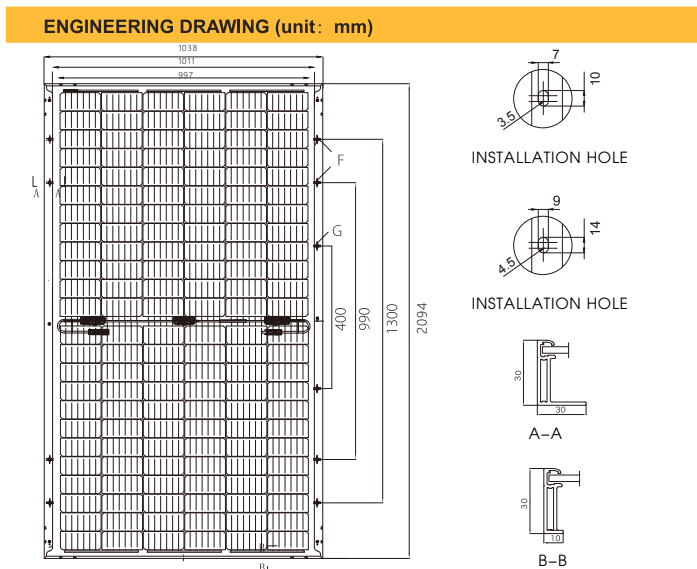
Data may vary according to different environment

MECHANICAL PROPERTIES	
Cell Type	Mono Cell (166x83mm)
Number of Cells	6X24 (144pcs)
Dimension	2094x1038x30mm(82.4x40.8x1.18inches)
Weight	29.5kg(65.0lb)
Front/Rear Glass	2.0mm/2.0mm
Frame	Anodized aluminum alloy frame
Junction Box	IP68, 3 Diodes
Cable Type	4.0 mm ²
UL Fire Type	29
Length of Cable	300mm, length can be customized

TEMPERATURE COEFFICIENT	
Temp. Coeff. Of Pmax (TK Pmax)	-0.370%/°C
Temp. Coeff. Of Voc (TK Voc)	-0.300%/°C
Temp. Coeff. Of Isc (TK Isc)	+0.060%/°C

PACKAGING	
Pallet	35 pcs
20'GP	175 pcs
40'HC	770 pcs

The specifications and key features contained in this datasheet maybe changed, modified or updated at any time under sole discretion of Dehui, without further notice to the user, due to the on-going research and development efforts and continuous product improvement processes employed at the factory. Therefore, Dehui reserves the right to make any adjustment to the information contained herein. It is the responsibility of the user of datasheet to obtain the latest, current revision - matching to the correct Dehui product - that the user has purchased or intends to purchase.



Email: sales@dehui-technology.com
Website: www.dehui-technology.com

U.S.A Office: 14820 Central Avenue, Chino, CA 91710
China Office: Floor 28, Hang Lung Plaza, Wuxi, China
Germany Office: Sebastian-Kneipp-Str.41 60439 Frankfurt, Germany
Factory Add: Lot H2-1-5 & Lot H2-1-6 Dai Dong-Hoan Son Industrial Park, Bac Ninh Province, Vietnam

