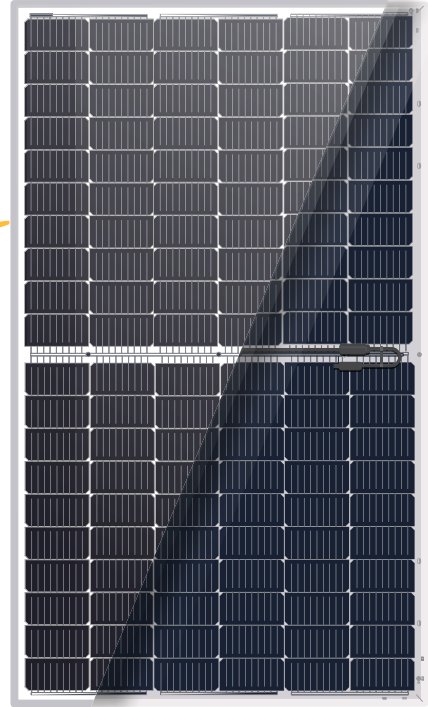


DEHUI

BiMax

DH-M760F 355-375W

Bifacial Half-cut Mono PERC Module



Advanced processing techniques realize great module efficiency to a maximum of 20.3%, steady power output guaranteed



0~+5W Positive tolerance delivers higher output reliability



Excellent performance even under low-light settings, such as dawn, dusk and cloudy day

PID

Advanced cell technology and qualified materials lead to high resistance to PID

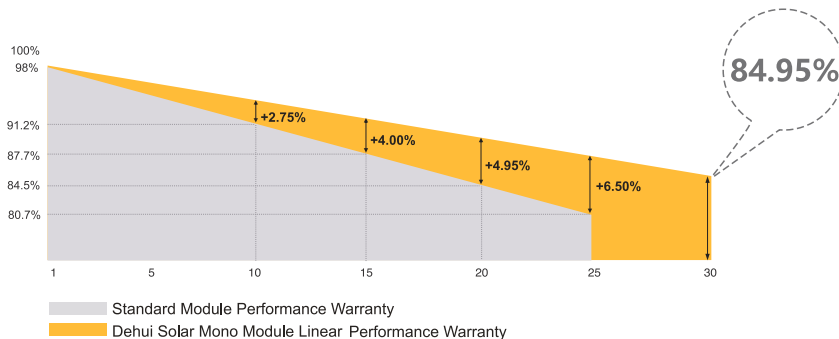


Excellent mechanical load resistance: wind loads (2400Pa) & snow loads (5400Pa)



Reliable quality leads to a better sustainability even in harsh environment like desert, farm and coastline

LINEAR PERFORMANCE WARRANTY



Product Material & Workmanship
12 YEAR WARRANTY

Linear Performance
30 YEAR WARRANTY

UL LISTED
[PHOTOVOLTAIC MODULE OVER 600 VOLTS]
UL File No. E515622

IEC

DH-M760F 355-375W

Bifacial Half-cut Mono PERC Module

ELECTRICAL PROPERTIES STC*	DH-M760F 355W	DH-M760F 360W	DH-M760F 365W	DH-M760F 370W	DH-M760F 375W
Peak Power (Pmax W)	355	360	365	370	375
MPP Voltage (Vmp V)	33.7	33.9	34.1	34.3	34.5
MPP Current (Imp A)	10.54	10.62	10.71	10.79	10.87
Open Circuit Voltage (Voc V)	40.3	40.5	40.7	40.9	41.1
Short Circuit Current (Isc A)	11.24	11.33	11.41	11.50	11.58
Module Efficiency (%)	19.5	19.8	20.0	20.3	20.5
Power Tolerance	0~+5W				
Operating Temperature	-40°C ~ 85°C				
Maximum System Voltage	DC 1500V				
Maximum Series Fuse Rating	20A				
Fire Safety	Class C				

*STC (Standard Test Condition): Irradiance 1000W/m², Cell Temperature 25°C, AM 1.5

ELECTRICAL PROPERTIES NOCT*	DH-M760F 355W	DH-M760F 360W	DH-M760F 365W	DH-M760F 370W	DH-M760F 375W
Peak Power (Pmax W)	264.0	267.7	271.4	275.1	278.8
MPP Voltage (Vmp V)	31.3	31.5	31.7	31.8	32.0
MPP Current (Imp A)	8.44	8.51	8.58	8.64	8.71
Open Circuit Voltage (Voc V)	37.5	37.7	37.9	38.1	38.3
Short Circuit Current (Isc A)	9.10	9.17	9.24	9.31	9.38

*NOCT (Nominal Operating Cell Temperature): Irradiance 800W/m², Ambient Temperature 20°C, AM 1.5, Wind Speed 1m/s

ELECTRICAL CHARACTERISTICS WITH DIFFERENT REAR SIDE POWER GAIN (REFERENCE TO 365W FRONT)	DH-M760F 355W	DH-M760F 360W	DH-M760F 365W	DH-M760F 370W	DH-M760F 375W
Peak Power (Pmax W)	384	402	420	438	456
MPP Voltage (Vmp V)	34.1	34.1	34.2	34.2	34.2
MPP Current (Imp A)	11.25	11.78	12.31	12.85	13.38
Open Circuit Voltage (Voc V)	40.7	40.7	40.8	40.8	40.8
Short Circuit Current (Isc A)	11.99	12.56	13.13	13.70	14.27
Pmax gain	5%	10%	15%	20%	25%

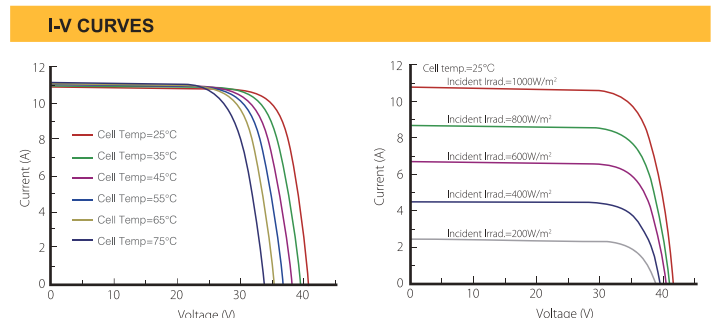
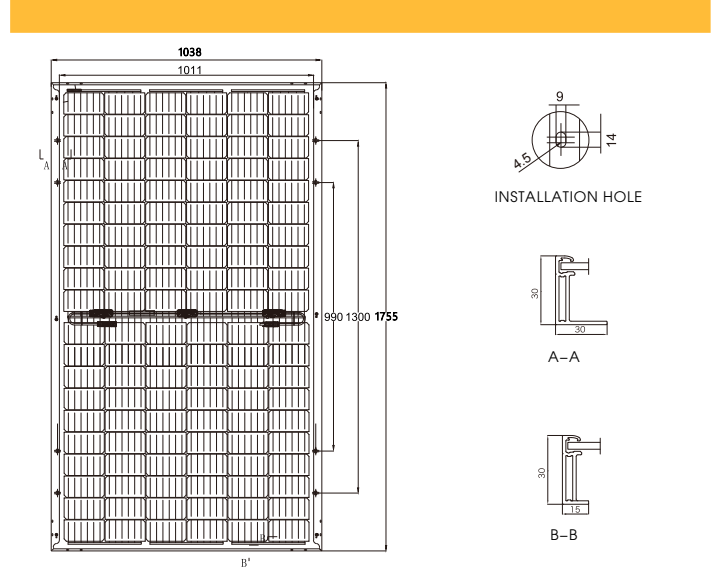
Data may vary according to different environment

MECHANICAL PROPERTIES	
Cell Type	Mono Cell (166x83mm)
Number of Cells	6X20 (120pcs)
Dimension	1755x1038x30mm(69.1x40.8x1.18inches)
Weight	24.0kg(52.9lb)
Front/Rear Glass	2.0mm/2.0mm
Frame	Anodized aluminum alloy frame
Junction Box	IP68, 3 Diodes
Cable Type	4.0 mm ²
UL Fire Type	29
Length of Cable	300mm, length can be customized

TEMPERATURE COEFFICIENT	
Temp. Coeff. Of Pmax (TK Pmax)	-0.370%/°C
Temp. Coeff. Of Voc (TK Voc)	-0.300%/°C
Temp. Coeff. Of Isc (TK Isc)	+0.060%/°C
NOCT	45±2°C

PACKAGING	
Pallet	35pcs
20'GP	210pcs
40'HC	910pcs

The specifications and key features contained in this datasheet maybe changed, modified or updated at any time under sole discretion of Dehui, without further notice to the user, due to the on-going research and development efforts and continuous product improvement processes employed at the factory. Therefore, Dehui reserves the right to make any adjustment to the information contained herein. It is the responsibility of the user of datasheet to obtain the latest, current revision - matching to the correct Dehui product - that the user has purchased or intends to purchase.



Email: sales@dehui-technology.com
Website: www.dehui-technology.com

U.S.A Office: 14820 Central Avenue, Chino, CA 91710
China Office: Floor 28, Hang Lung Plaza, Wuxi, China
Germany Office: Sebastian-Kneipp-Str.41 60439 Frankfurt, Germany
Factory Add: Lot H2-1-5 & Lot H2-1-6 Dai Dong-Hoan Son Industrial Park, Bac Ninh Province, Vietnam

